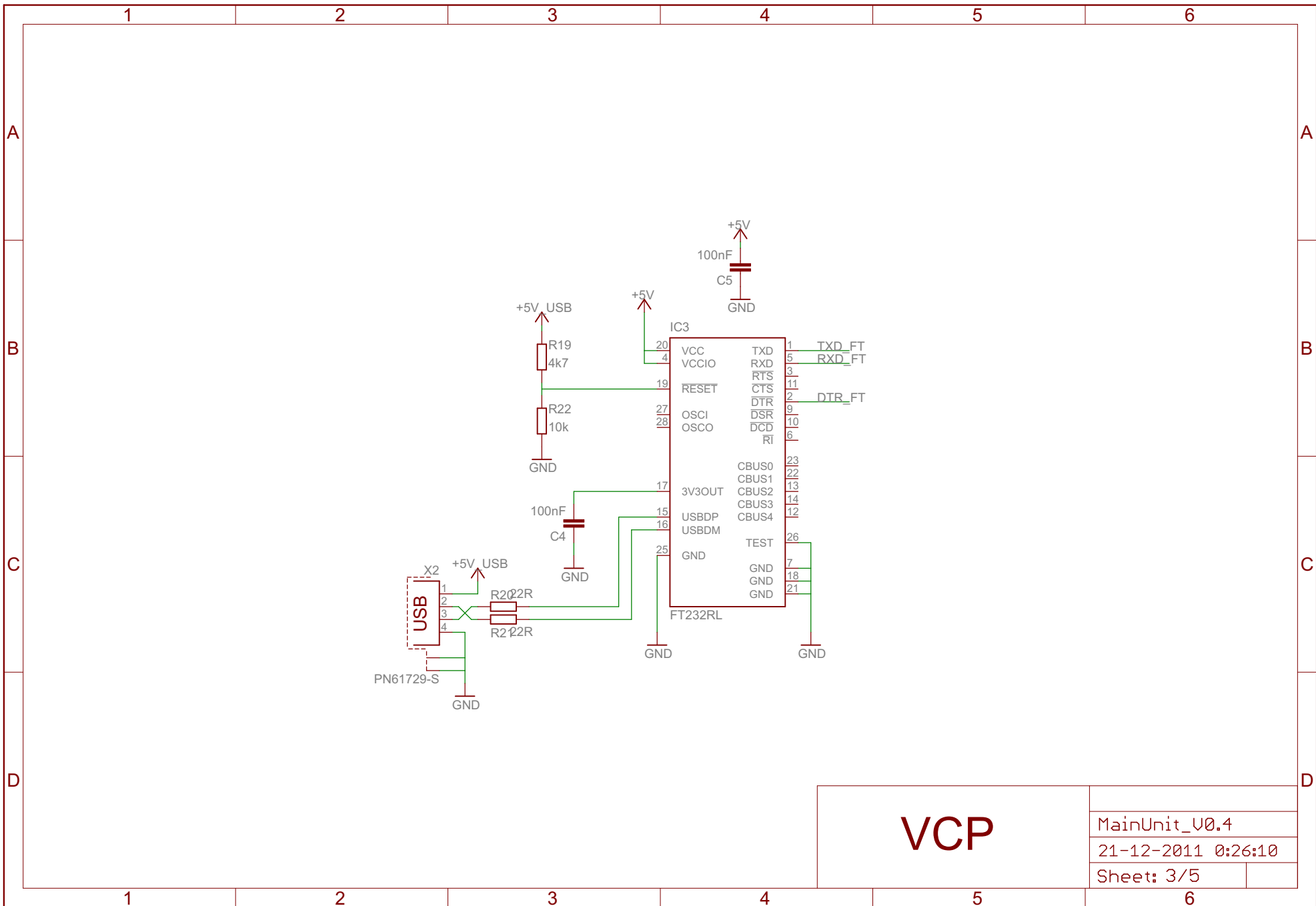


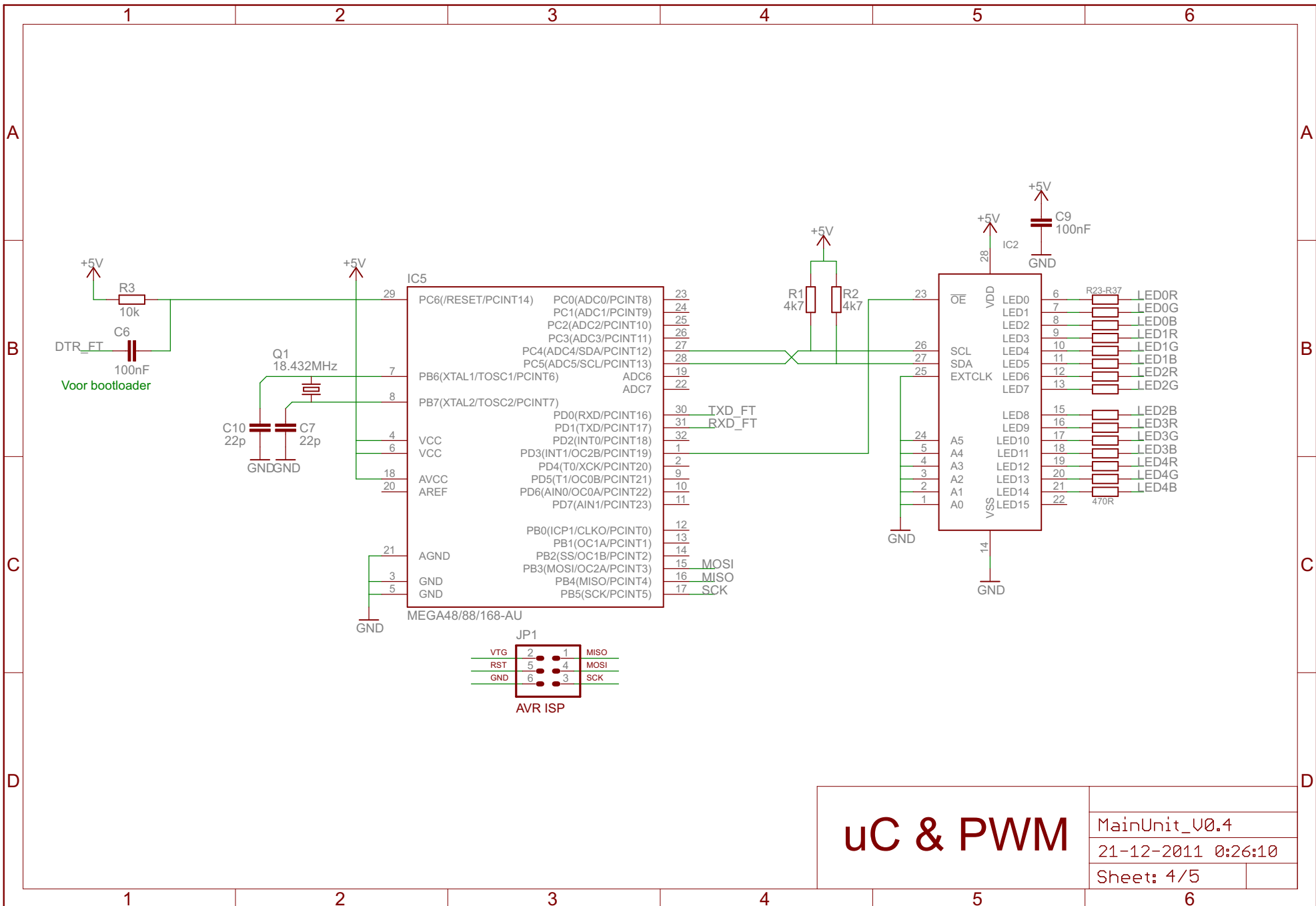
POWER

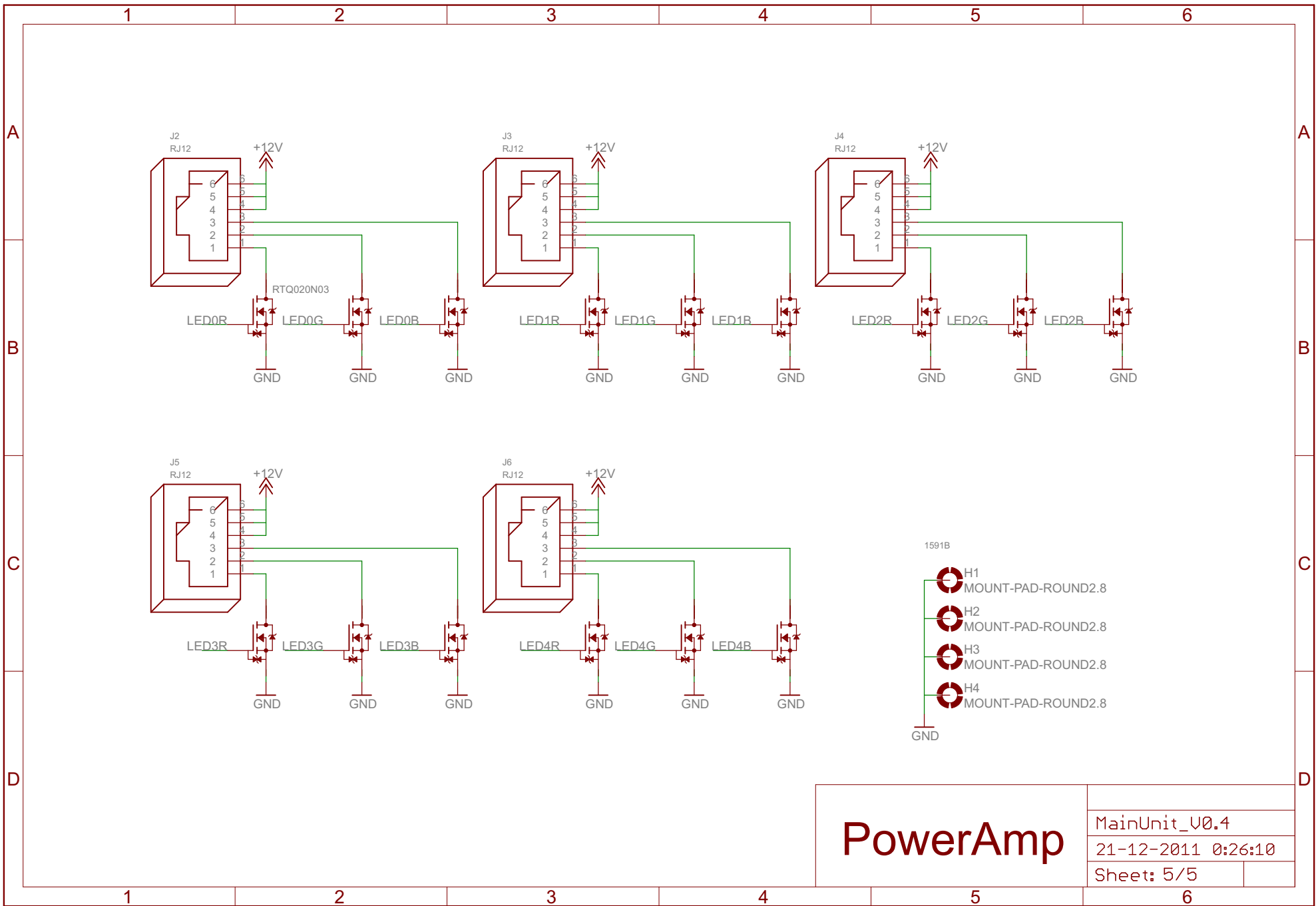
MainUnit_V0.4	
21-12-2011 0:26:10	
Sheet: 2/5	



VCP

MainUnit_V0.4	
21-12-2011 0:26:10	
Sheet: 3/5	





<h1>PowerAmp</h1>	MainUnit_V0.4	
	21-12-2011 0:26:10	
	Sheet: 5/5	